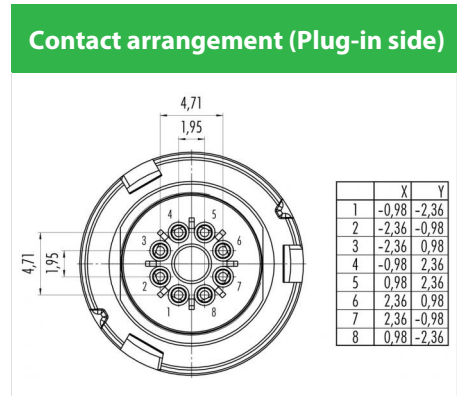
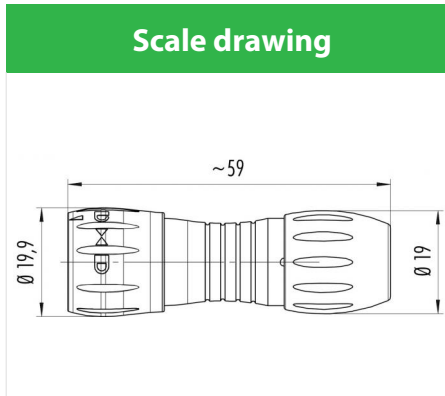


| | |
|---------------------|---|
| Product description | Bayonet NCC cable connector, Contacts: 8, 6.0 - 8.0 mm, solder, IP67 |
| Area | Bayonet NCC series 770 |
| Order number | 99 0771 402 08 |



You can find the component part drawing and assembly instructions on the next page.

Technical data

General values

| | |
|--------------------------|---------------------------|
| Connector design | cable connector |
| Connector locking system | Bayonet |
| Termination | solder |
| Wire gauge (mm) | max. 0.25 mm ² |
| Wire gauge (AWG) | max. 24 |
| Cable outlet | 6.0 - 8.0 mm |
| Upper limit temperature | 85 °C |
| Customs tariff number | 85369010 |
| Packaging Unit | 100 |

Electrical values

| | |
|---------------------------|----------------------|
| Rated current (40 °C) | 2 A |
| Rated voltage | 175 V |
| Rated impulse voltage | 1750 V |
| Pollution degree | 2 |
| Overvoltage category | II |
| Insulating material group | II |
| Degree of protection | IP67 |
| Mechanical operation | > 5000 Mating cycles |

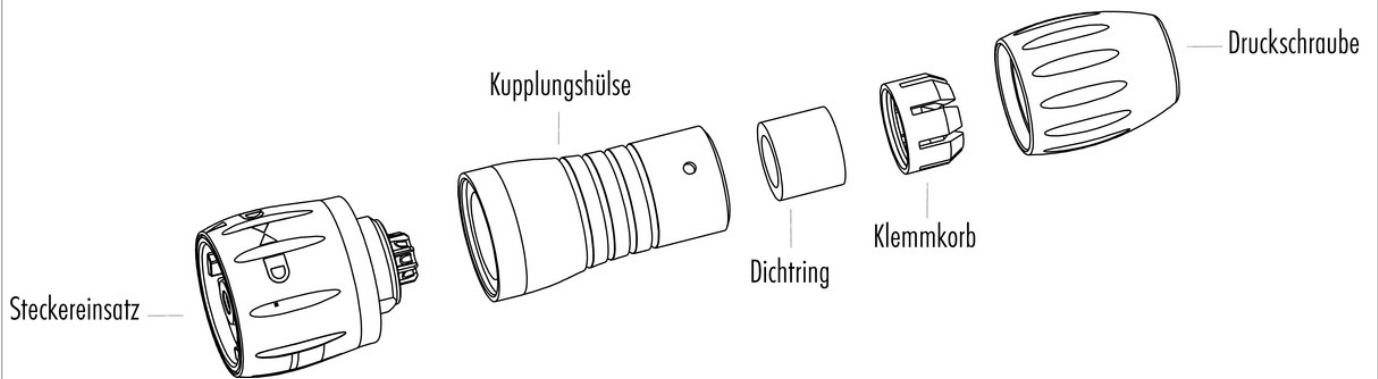
Material

| | |
|-----------------------|---|
| Contact material | CuZn (brass) |
| Contact plating | Au (gold) |
| Contact body material | PA (UL94 HB) |
| Housing material | PA |
| REACH SVHC | CAS 96-45-7 (Imidazolidine-2-thione) CAS 7439-92-1 (Lead) |

Product description **Bayonet NCC cable connector, Contacts: 8, 6.0 - 8.0 mm, solder, IP67**

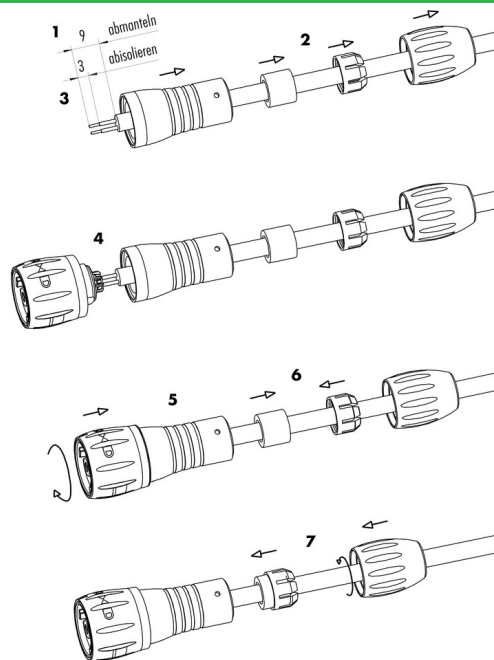
Area **Bayonet NCC series 770**
 Order number **99 0771 402 08**

Component part drawing



Assembly instructions / Panel cut-out

1. Abmanteln auf L = 9mm.
Ummantlung abstreifen.
2. Druckschraube, Klemmkorb, Dichtring und Abstandshülse auf Kabel auffädeln.
3. Litzen abisolieren (L = 3mm) und verzinnen.
4. Einsätze einlöten.
5. Bajonettadapter am Gewinde der Abstandshülse aufsetzen und mit leichtem Druck in Pfeilrichtung festschrauben.
6. Den Klemmkorb über den Dichtring bis auf Anschlag aufschieben.
7. Mit Druckschraube Klemm-, dichteinheit gegen Abstandshülse drücken und festschrauben.



| | |
|---------------------|---|
| Product description | Bayonet NCC cable connector, Contacts: 8, 6.0 - 8.0 mm, solder, IP67 |
| Area | Bayonet NCC series 770 |
| Order number | 99 0771 402 08 |

Security notices

The connector must not be connected or separated under load. Non-observance and incorrect use can result in personal injury.

The connectors are designed for use in plant, control system and electrical equipment. The end user is responsible for checking whether the connectors are suitable for use in other applications.

Connectors used in electrical circuits containing hazardous life parts must only be assembled and used by or under the supervision of persons with the requisite electrotechnical training, taking the applicable regulations and standards into account.